

Installation

Temperature pocket

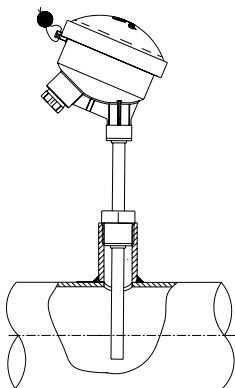
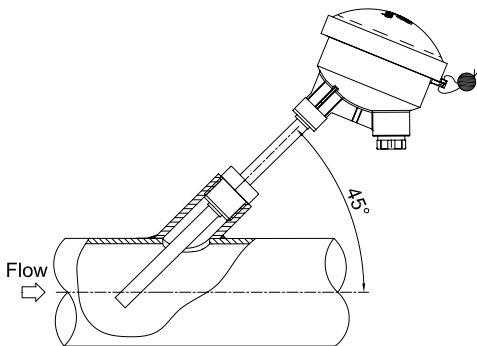


Kamstrup

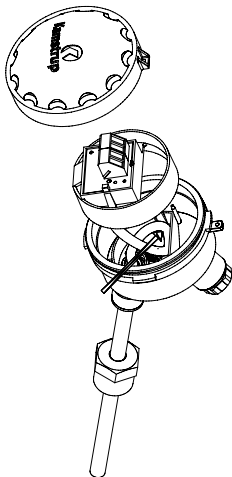
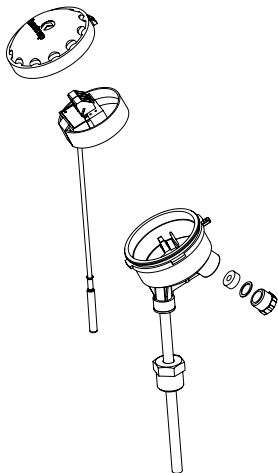
Kamstrup A/S
Industrivej 28, Stilling
DK-8660 Skanderborg
Tel.: +45 89 93 10 00
Fax: +45 89 93 10 01
info@kamstrup.com
www.kamstrup.com

Temperature pocket with head for Kamstrup sensor insert

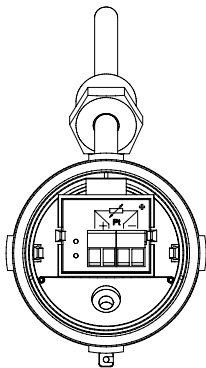
Examples of installation of temperature pocket with head



Examples of installation of sensor insert in pocket with head

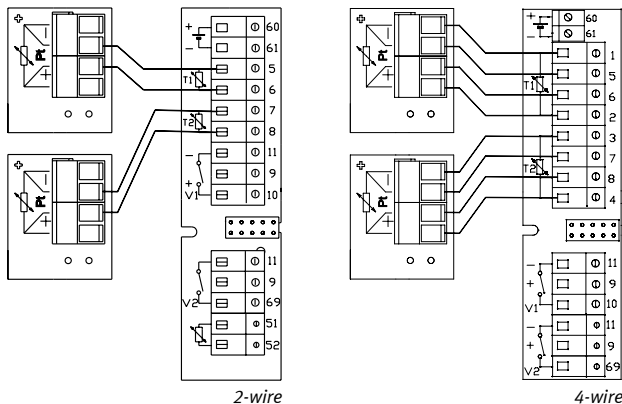


90 and 140 mm pocket

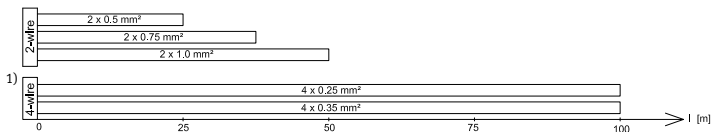


*Connection cable, $\varnothing 5-10$ mm
(MULTICAL[®] max. $\varnothing 6$ mm)*

Examples of electric connection of MULTICAL® to Kamstrup sensor insert

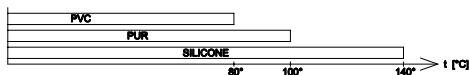


Pt500 Connecting cable



Please note that flow and return sensors must be connected with equally long cables when using two-wire connection.

Cap material



Standard values

Dimension connecting cable: \varnothing 5-10 mm (MULTICAL® max. \varnothing 6 mm)

1) MULTICAL® 601 and MULTICAL® 801 are MID approved with 100m of 4-wire cable.