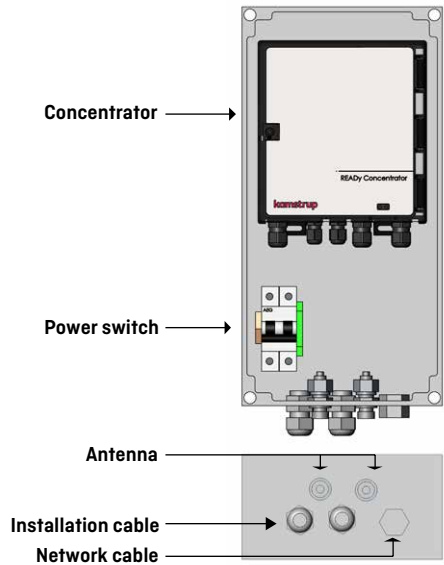
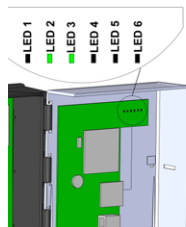


## 1 Inside the box



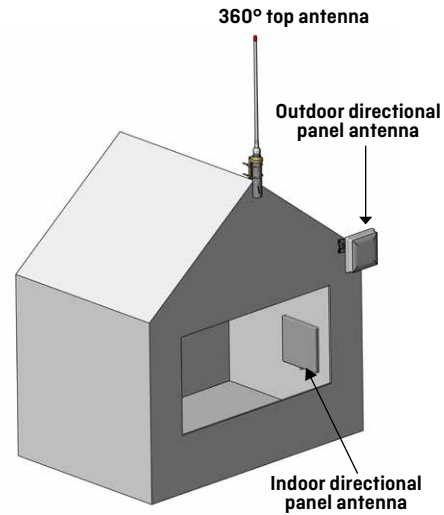
## 2 Successful installation

Concentrator is online and active when LED 2 & 3 are green.



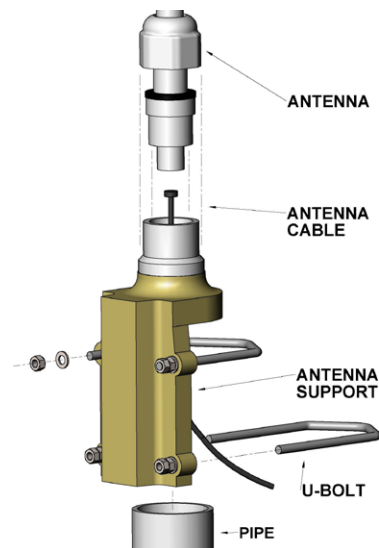
LED	Color	Description
1	Red	Blinking red: Problem with sim-card or GSM modem
2	Green	Blinking green: Concentrator is active
3	Green	Concentrator is connected to Kamstrup servers
4	Red	Blinking red: NO ethernet connection
5	Green	Toggles each time a M-BUS package is received
6		Not in use
1+4	Red	Solid red: Out of function. Contact Kamstrup

## 3 Antenna placement

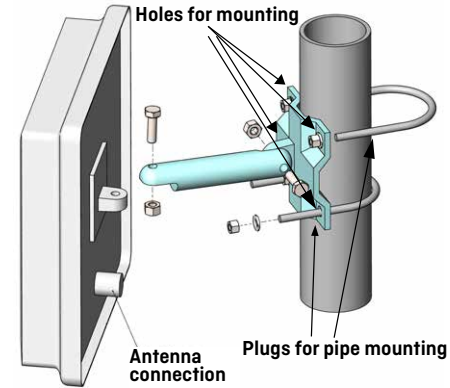


## 4 Antennas

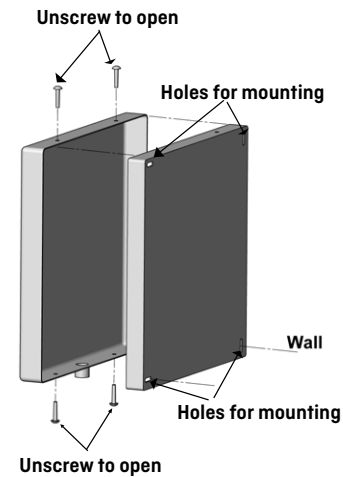
### Omni antenna



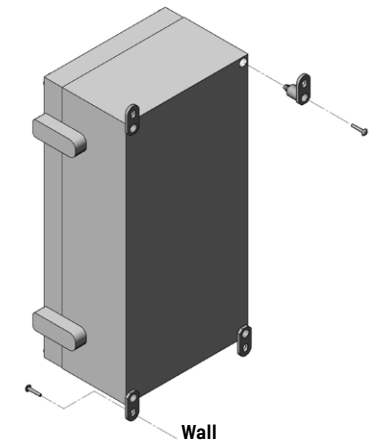
## Outdoor directional panel antenna



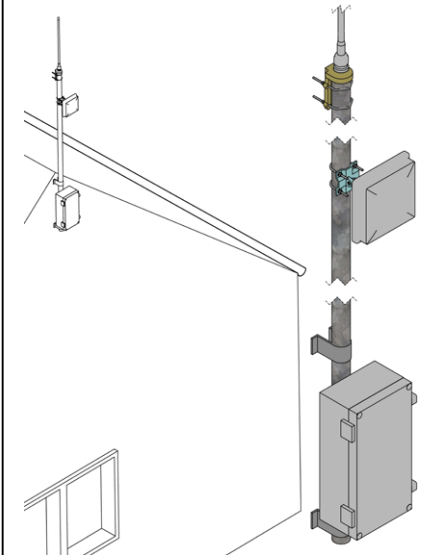
## Indoor directional panel antenna



## 5 Concentrator mounting



## Pipe



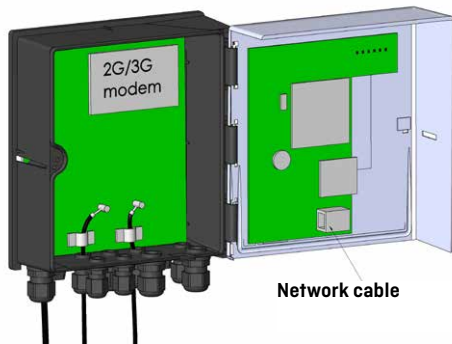
## 6 Connect power source

To avoid power losses, connect to a powersource without breaker.



## 7 Network connection

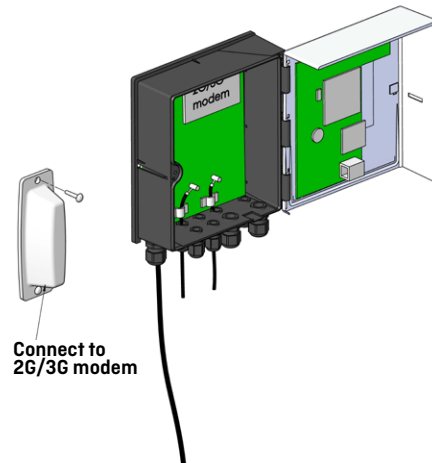
To access the network, the concentrator either uses 2G/3G modem or network cable.



## 2G/3G modem

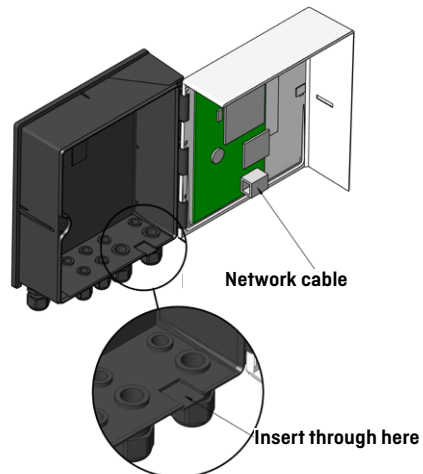
Connect antenna with modem.

Place antenna in open space.



## Network cable

Insert cable by taking out the middle part and make a cut in the gasket. Put the cable through the hole, and insert the gasket back in the box.



## 8 Verify installation

- Check LED's to see if concentrator is installed correctly (look at step 2)

**Get the best radio coverage  
- place antennas in open space  
as high as possible.**

**Kamstrup Hotline: +45 89 31 11 01**

**kamstrup**

Outdoor  
**READY Concentrator**  
Installation Guide

