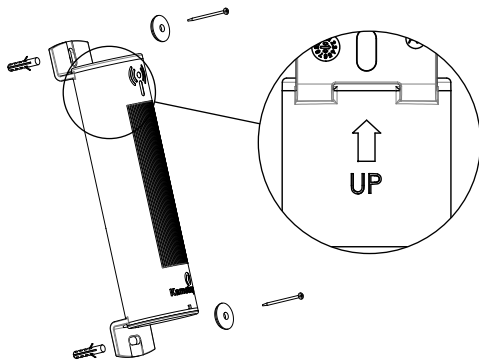


Installation on wall

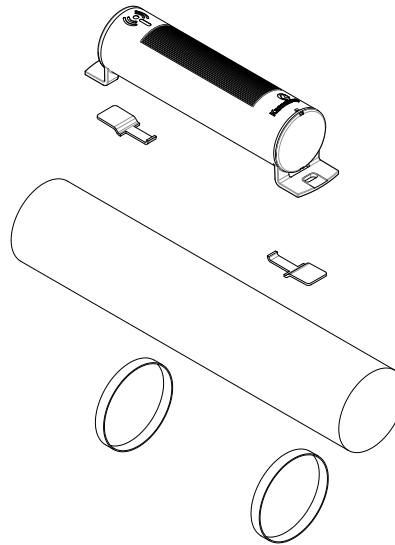


Order number

READy Repeat 5:

READyRepeat5

Installation on pipes



Order number

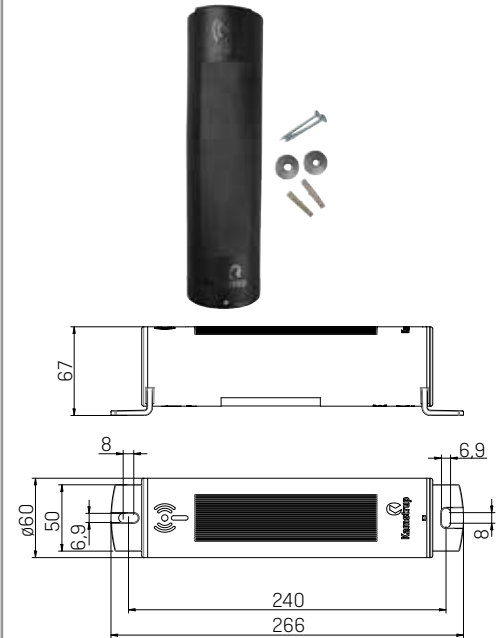
Stainless bracket, mini [x50]

6697 039

Stainless clamps [x100]

6697 046

Dimensions



Mechanical data

Weight:	0.5 kg.
Diameter:	∅60
Protection class:	IP67
Temp. range:	-40°C → +70°C
Brackets:	Stainless steel
Clamps:	Stainless steel

Torque

Typically:	2,5 Nm
Maximum:	4,0 Nm

All dimensions are shown in mm

Technical data

Communication:

- Standard: EN13757-4:2013
- Protocol: C-mode

Transmission:

1-way communication

Transmission interval:

- from meters to repeater: Every 16/96 second
- from repeater to concentrator: Every 16/96 second

Frequency:

868, 950 MHz

Battery supply:

2xD-cell batteries

Battery lifetime:

READy Repeat 5: 16 years @ 5 connected meters

kamstrup

READy Repeat 5 Installation manual



READy system

