

Data sheet

READy Repeat 5 **Wireless M-Bus, C-mode**

- Battery-supplied repeater
- Standardised radio communication according to EN13757-4:2013
- Built-in antenna
- Handling of up to 5 Wireless M-Bus meters
- Outdoor installation, IP67



Part of READY

The READY Repeat 5 is a smart battery-supplied network component which together with READY Concentrator make up the infrastructure in a READY network.

The most important role of this component is to collect and forward data from a number of meters and thereby increase

the range of the network making it possible to read meters at very large distances or under especially difficult conditions.

The READY Repeat 5 is designed for outdoor installation and is easily installed directly on wall and tubes (e.g. lamp posts) by means of customised stainless fittings.

Technical data

Capacity

Up to 5 Wireless M-Bus meters

Frequency

EU licence free frequency bands from 868 - 870 MHz
C mode: 868.95 MHz (one-way communication)

Communication

Wireless M-Bus, C-mode

Standards

EN13757-3:2013
EN13757-4:2013

Transmission intervals

Forwarding of meter data to READY Concentrator
READY Repeat 5: every 16/96 seconds

Supply

2 x D-cell lithium batteries (3.6 VDC).

Battery lifetime

READY Repeat 5: Up to 16 years

Range

Typically unscreened up to 200 m – depending on the installation.

Mechanical data

READY Repeat 5

Dimensions (L X W x D): 210 x 168 x 64
Weight: 1 kg

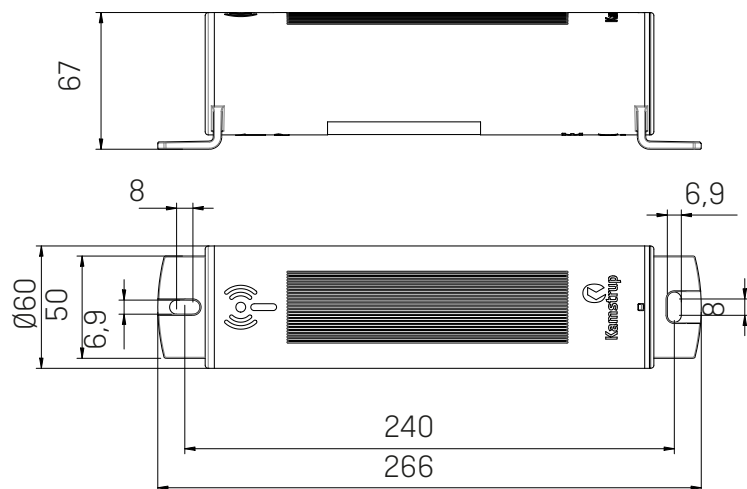
Note: All measurements in mm

Temperature range

-40°C...+70°C

Torch

Typical: 2.5 Nm
Maximum: 4.0 Nm



Markings

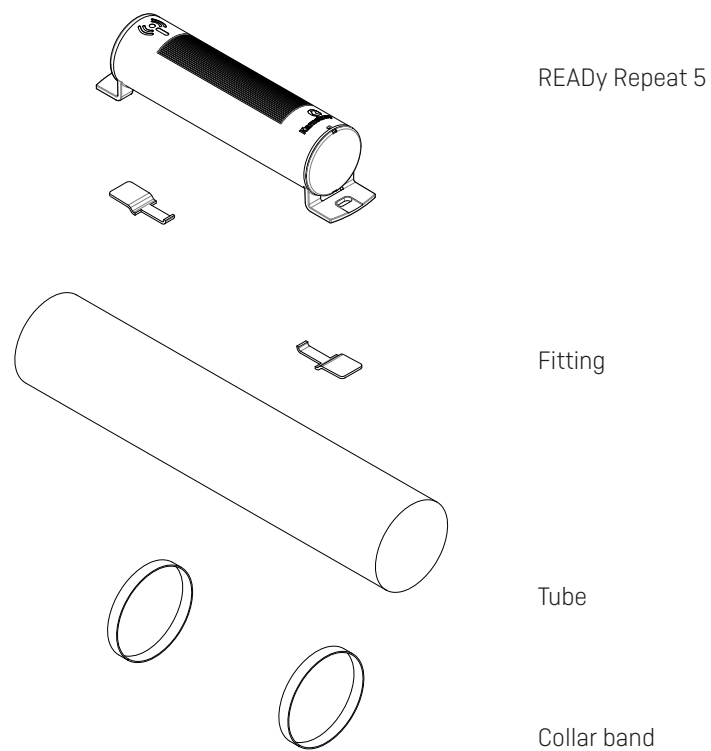
CE marked

R&TTE

EN300 220 – class 2

EN301 489

Accessories



READy Repeat 5

Order data

READyRepeat5: READy Repeat 5

6697 046: Stainless collar bands (x 100)

6697 039: Stainless fitting, mini (x 50)

Kamstrup A/S

Industrivej 28, Stilling

DK-8660 Skanderborg

T: +45 89 93 10 00

F: +45 89 93 10 01

info@kamstrup.com

kamstrup.com