

Installation manual

Radio Link Repeater



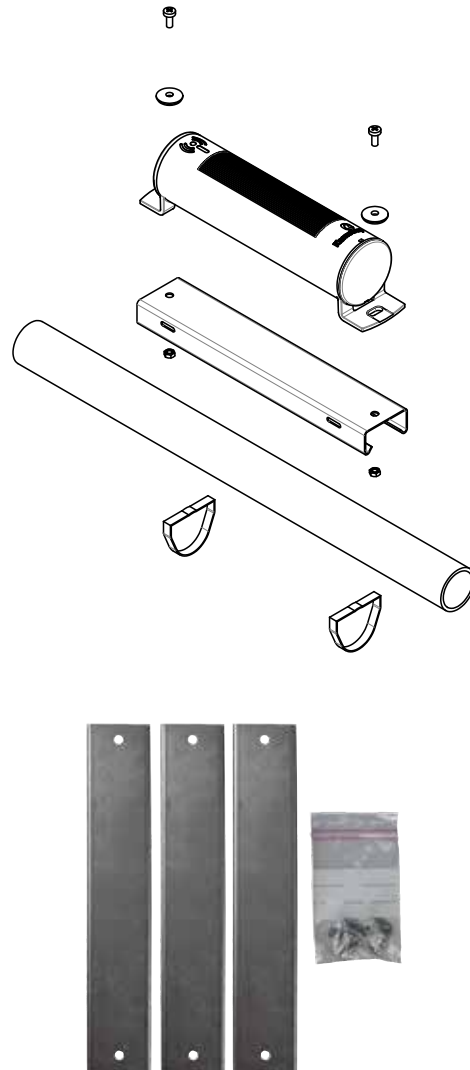
Installation on wall



Order number

Radio Link Repeater: 6697 041

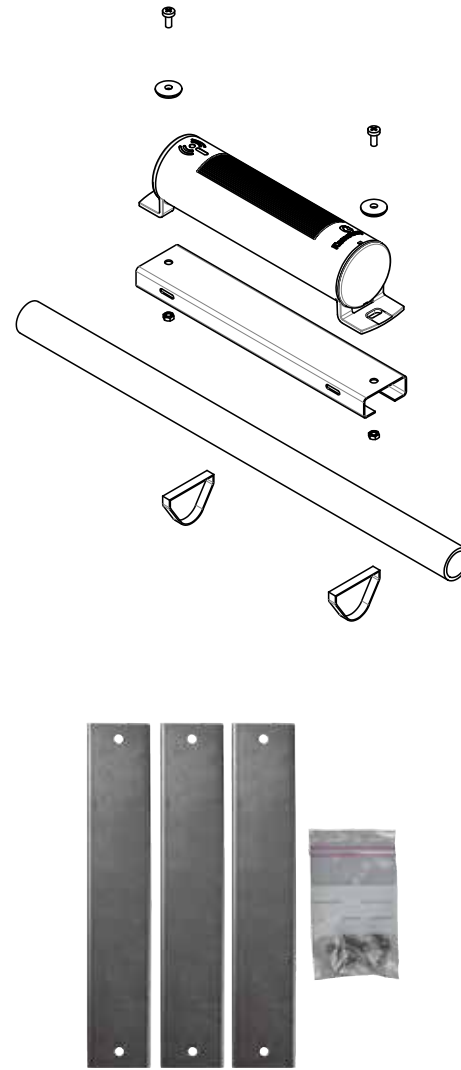
Installation on large pipes



Order number

3 x brackets – large: 6697 044
 100 x clamps: 6697 046
 Bending tool: 6697 047

Installation on small pipes



Order number

3 x brackets – small: 6697 045
 100 x clamps: 6697 046
 Bending tool: 6697 047

Mechanical data

Weight: 0.5 kg.
 Diameter: $\varnothing 60$
 Protection class: IP67
 Temp. range: $-40^{\circ}\text{C} \rightarrow +70^{\circ}\text{C}$
 Brackets: Stainless steel
 Clamps: Stainless steel

Torque

Typically: 2,5 Nm
 Maximum: 4,0 Nm

All dimensions are shown in mm

Technical data

Communication:

– Standard: EN13757-4
 – Protocol: C-mode

Transmission:

1-way from meters
 2-way to Radio Link
 Concentrator

Transmission interval:

– from meters
 to repeater: Every 16 second
 – from repeater
 to concentrator: Every 16 second
 (meter data)
 Every 6 minute (status)
 – from concentrator
 to repeater: Ad hoc

Frequency range: 868 – 870 MHz

Battery supply: 2xD-cell batteries

Battery lifetime: 16 years
 @ 5 connected meters