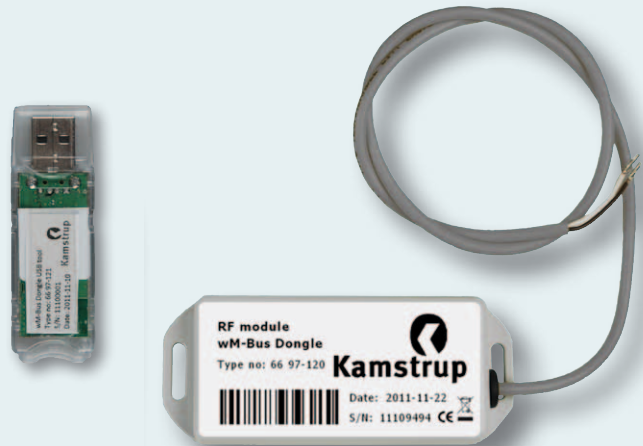


# wM-Bus Dongle

## DATA SHEET

- Interface between standard wired M-Bus and up to 4 wireless M-Bus meters
- Registers from wireless M-Bus are mapped to wired M-Bus
- Is configured with wM-Bus Dongle USB Tool and wM-Bus Dongle Software Tool



## Features

- 868 MHz ISM band transceiver
- Bidirectional wireless communication link – one-way at C-mode, two-way at T-mode
- Wireless communication to up to 4 devices, complies with EN 13757-4 C-mode and T-mode
- Wireless M-Bus devices for Kamstrup heat, cooling and water are supported
- Quick and simple installation procedure of wireless connections
- Output power +10 dBm / Sensitivity -95 dBm
- Range 100 m line of sight
- Wired M-Bus connection (EN 13757-3)
- M-Bus powered only, using 7 unit loads
- 0.5 m wire for wired M-Bus
- Fully DSMR V2.2 compliant on both wired and wireless ports
- AES encryption supported with independent keys for up to 4 devices
- Small form factor for easy installation
- Ambient temperature range -20°C - +50°C
- Cable length for installing up to 1,000 m (according to EN 13757-2)
- Complies with ETSI EN 300 220-1
- CE R&TTE Approval
- IP54, indoor use only
- Prefixed baud rate

## Transmitted information

### E.g. MULTICAL® 21

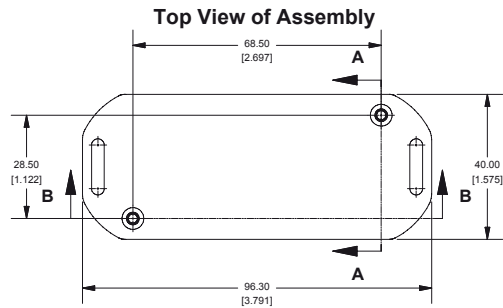
- Current meter count
- Meter count on the first day of the current month. Alternatively, max flow in the last completed month.
- List of active info codes, including list of info codes that have been active within the last 30 days.
- Hour counter



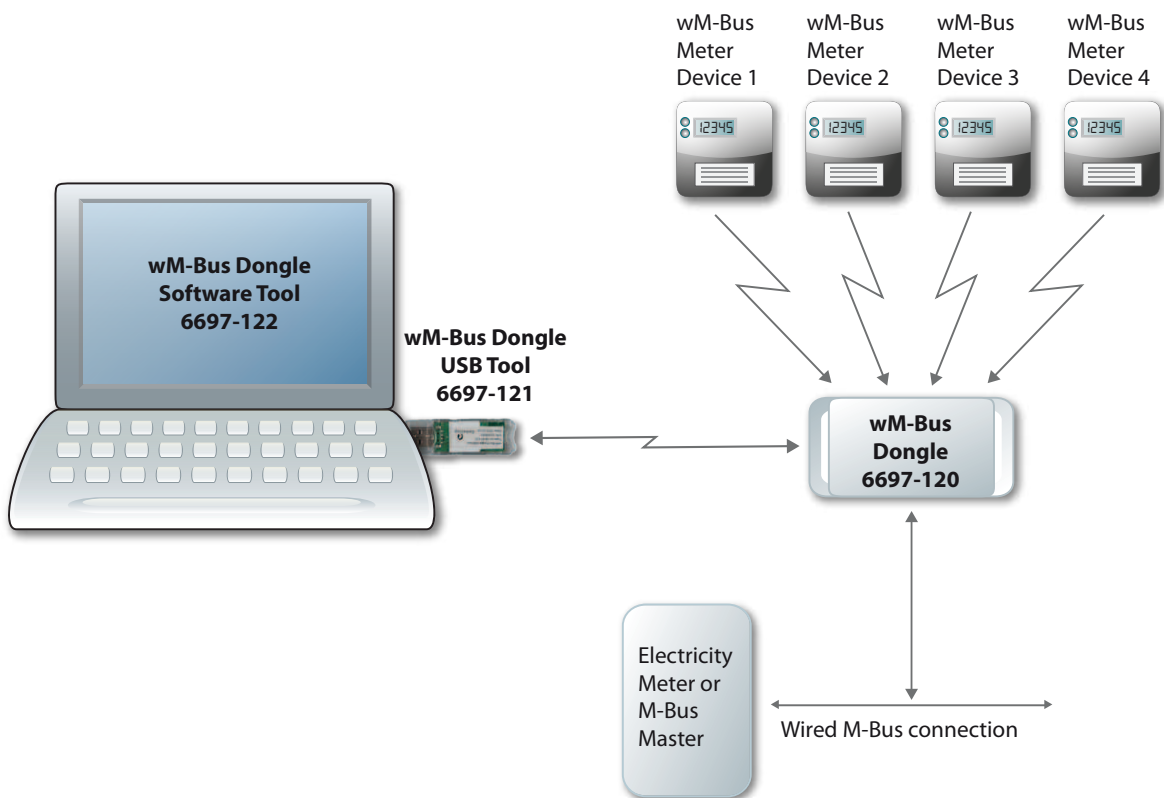
# wM-Bus Dongle

## DATA SHEET

### Dimensions



### Principal connection diagram



### Ordering information

Description	Type No.
wM-Bus Dongle	66 97-120
<b>Accessories</b>	
wM-Bus Dongle USB tool	66 97-121
wM-Bus Dongle Software Tool	66 97-122 (download at <a href="http://www.kamstrup.com">www.kamstrup.com</a> )